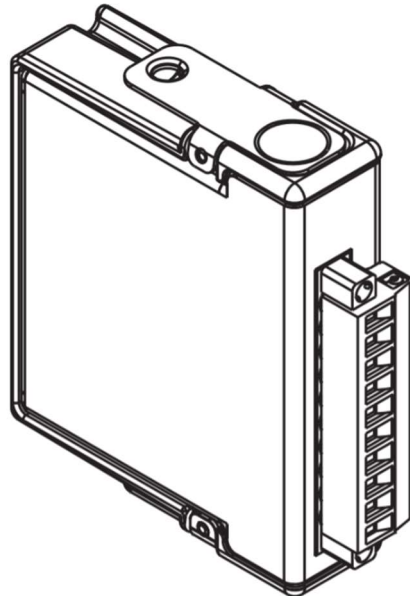


CCM 2282/2283

Stepper motor driver and analyser



Specifications

Compatibility	Unipolar and bipolar stepper motors For use with NI cRIO controller
Drive modes	Voltage control <ul style="list-style-type: none">• 0-30V unipolar mode• 10-30V bipolar mode Current control (resolution 1mA) <ul style="list-style-type: none">• 0-0,4A unipolar mode• 0-3A RMS bipolar mode
Step rate	0-1000 pps
Operating modes	<ul style="list-style-type: none">• Wave drive (one-phase-on at a time)• Full step (two-phases-on at a time)• Half step• Half step with current boost• Micro stepping (up to 1/16 step)

**Measurements
(only CCM 2283)**

Resistance	Range: 0-800Ω Accuracy: ±0,2Ω
Coil voltage measurement	+30V / -30V at 10.000 s/sec 4 channel simultaneous sampling resolution 1mV
Coil current measurement	+4,3A / -4,3A (3A RMS) at 10.000 s/sec 4 channel simultaneous sampling resolution 1mA

Wiring

Pin	Bipolar stepper motor	Unipolar stepper motor
0	A+	A
1	A-	B
2	Not used	Common supply
3	B+	C
4	B-	D
5	Not used	Common supply
6	Not used (optional 12V-24V supply for control circuit)	12V-24V supply
7	GND	GND
8	Motor supply (10-30V)	Motor supply (0-30V)
9	GND	GND

Operational safety and compliance

Absolute maximum ratings Input 36V – higher input voltage will cause damage to the module

Operating conditions 0°C ≤ T_a ≤ 40°C
IP 40
Use a shielded cable to connect motor
Follow general electronic safety precautions

Other remarks Measuring and Testing Equipment for laboratory use
Dispose as hazardous waste
Specifications are subject to change